

# HQ-AR2 TRIANGLE RACK

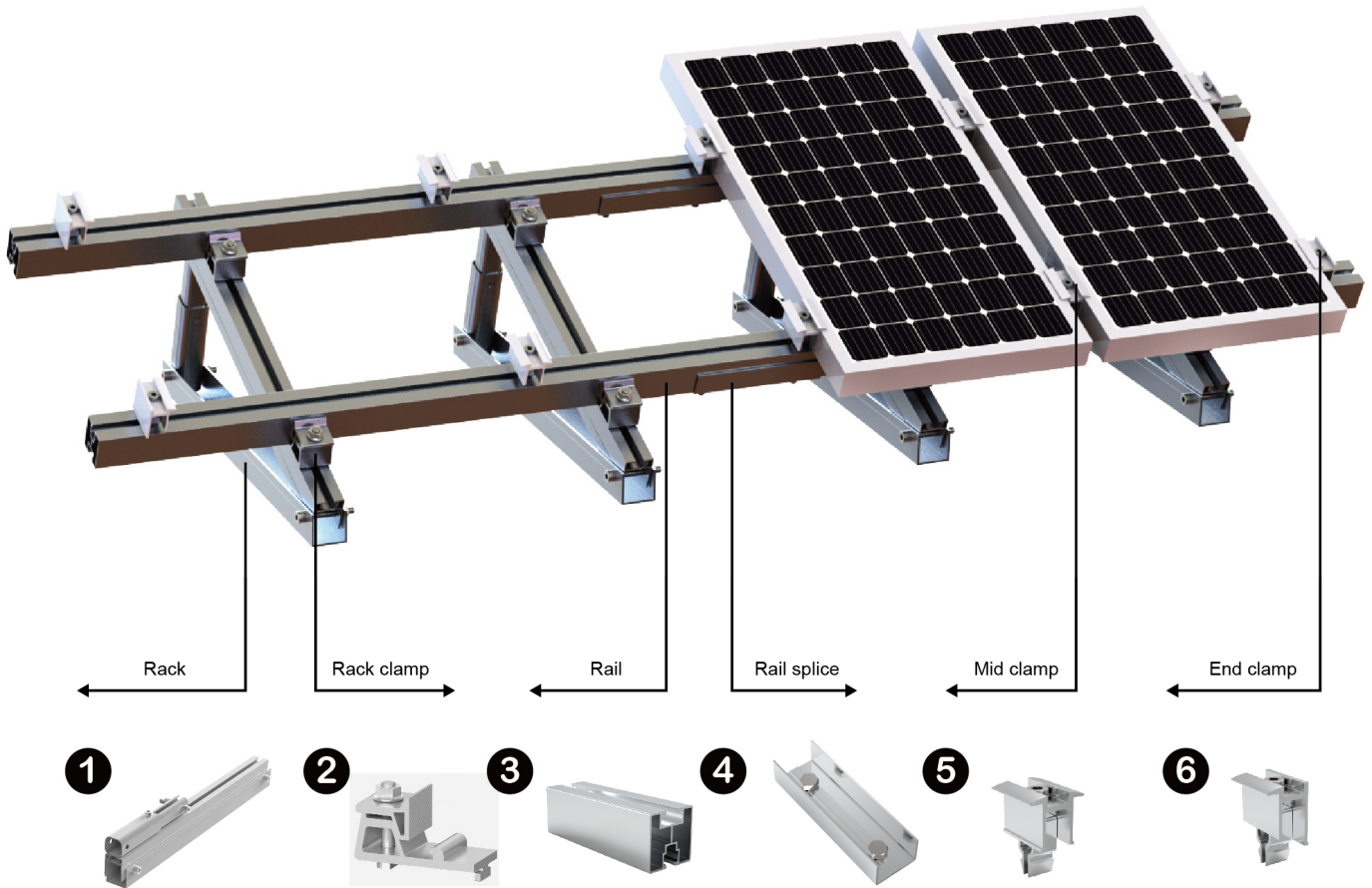


## Installation manual

Web: [www.hqmount.com](http://www.hqmount.com)

Email: [info@hqmount.com](mailto:info@hqmount.com)

### Components



### Installation Tools



Hexagon socket wrench



Marker



Tape measurement



Electrical drill

# HQ-AR2 TRIANGLE RACK

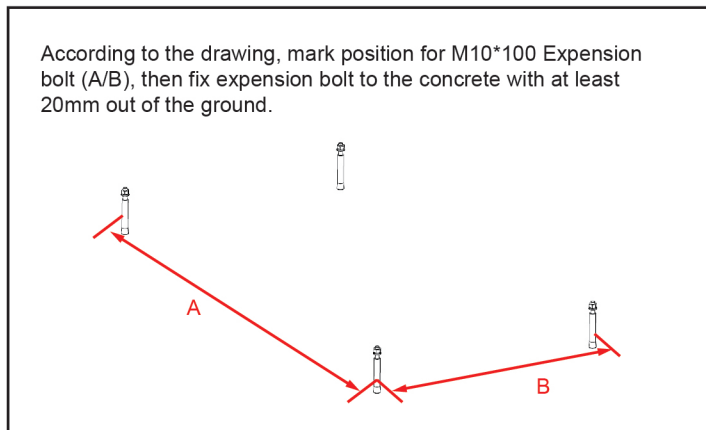


## Installation manual

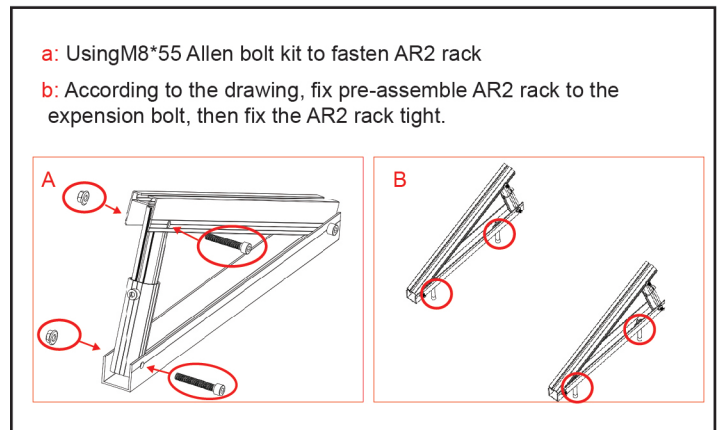
Web: [www.hqmount.com](http://www.hqmount.com)

Email: [info@hqmount.com](mailto:info@hqmount.com)

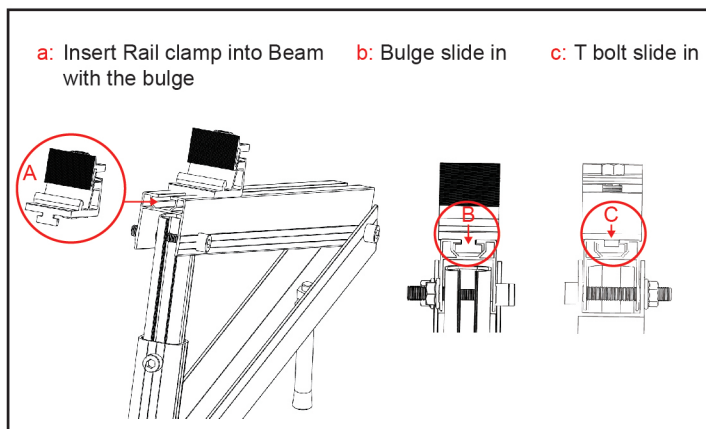
### Step 1 Installation- Expansion bolt



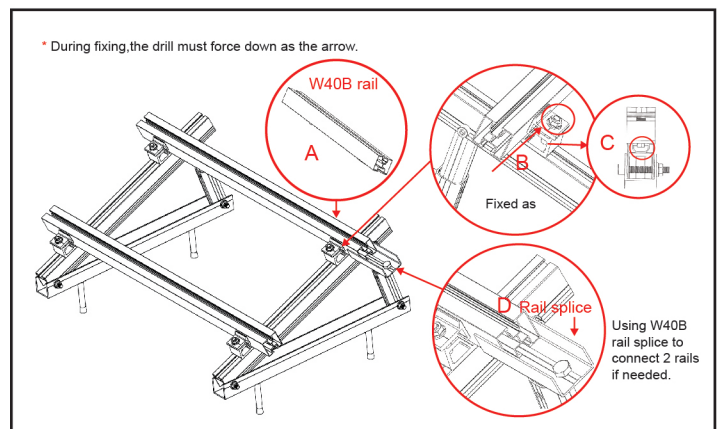
### Step 2 Installation-Front leg



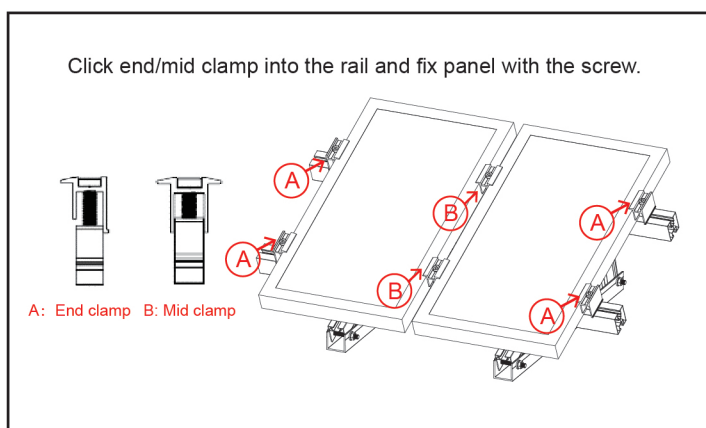
### Step 3 Rail clamp



### Step 4 Installation-W40B rail



### Step 5 Installation-panel



### Step 6 Installation-Completed

